

## Data Sheet Part no. 80075/6



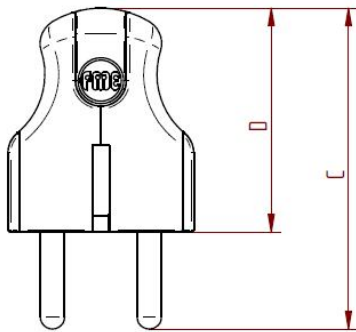
### Plug french/german std. 2P+E 16A demountable

- Colour: white/black
- Voltage: 250V~
- Frequency: 50/60Hz
- Rated current: 16A
- Standard: German/French
- cable outlet positionable to the side 90° or axially
- Made in Italy
- Packaging: flow pack, into one carton containing 50 pieces
- Net weight: 30,1g.
- Brass, nickle-plated contacts

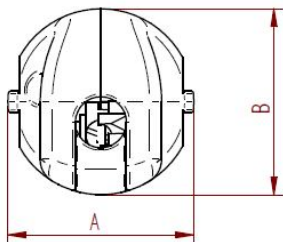
---

### FANTON S.p.A.

Società soggetta a direzione e coordinamento da parte di Fa.Mi. srl



Codice	A	B	C	D
80075	36	36	62	44
80076	36	36	62	44



Fanton spa reserves the right to change and update the product at any time and without warning.

Date: 02/05/2019 Revision: 0

---

**FANTON S.p.A.**

Società soggetta a direzione e coordinamento da parte di Fa.Mi. srl

Viale dell'Industria, 8/10  
35026 CONSELVE (PD) ITALY  
Web: <http://www.fanton.com>  
[info@fanton.com](mailto:info@fanton.com)

P.I./VAT - IT 02353470285  
Tel. +39.049.95.97.911  
Fax+39.049.95.00.311  
[amministrazione@pec.fanton.com](mailto:amministrazione@pec.fanton.com)